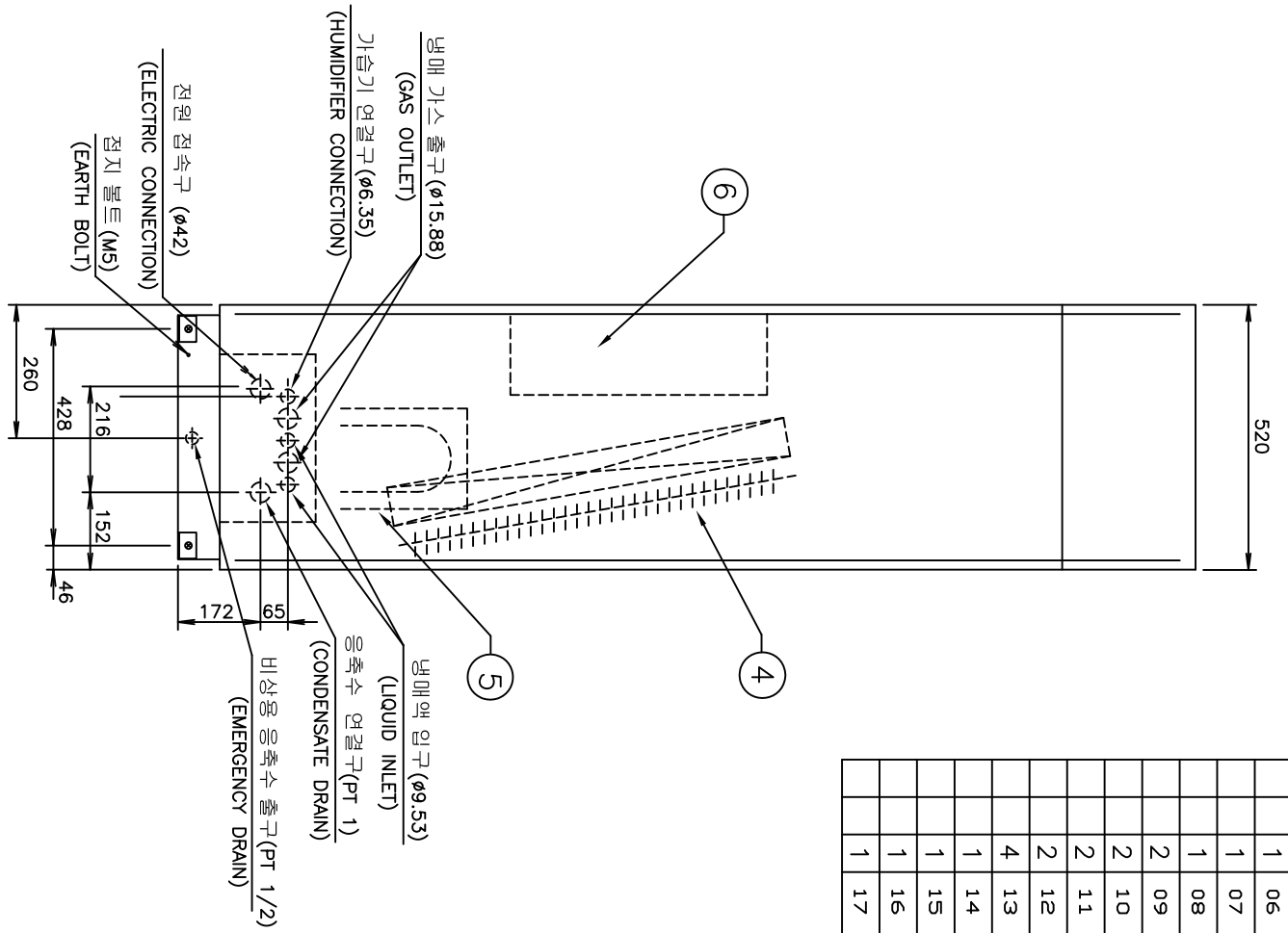
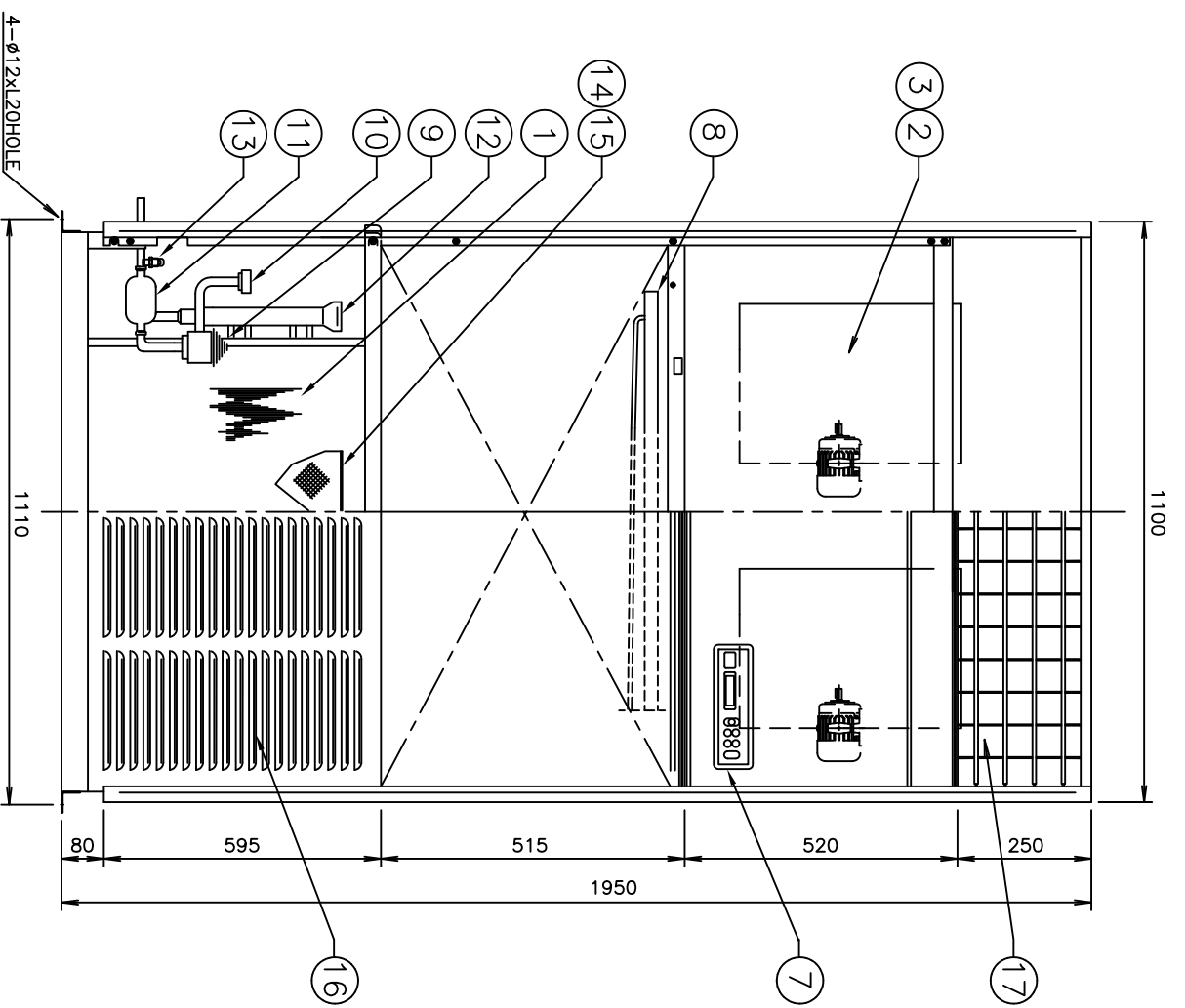


| C | B | A | NO. | ALTERATION | DATE | CHKD | APPD | |
|-----|-----|-----|---------------------------|------------------------------|------|--------|------------|--------|
| | | | ① | | | | | |
| | | | ② | | | | | |
| | | | ③ | | | | | |
| | | | ④ | | | | | |
| | | | ⑤ | | | | | |
| Q'T | Q'T | Q'T | ITEM | DESCRIPTION | MTL. | REMARK | SHEAR SIZE | WEIGHT |
| 1 | 01 | | EVAPORATOR | MULTI-PASS CROSS FINNED TUBE | | | | |
| 2 | 02 | | BLOWER | DS # 1-1/2 X 2EA | | | | |
| 2 | 03 | | FAN MOTOR | AC 3ø V 0.2kW 6P 60Hz X 2EA | | | | |
| 1 | 04 | | HEATING COIL | | | | | |
| 1 | 05 | | HUMIDIFIER | | | | | |
| 1 | 06 | | CONTROL BOX | | | | | |
| 1 | 07 | | SWITCH BOX | | | | | |
| 1 | 08 | | HUMIDI. DISTRIBUTOR | | | | | |
| 2 | 09 | | EXPANSION VALVE | 3RT | | | | |
| 2 | 10 | | DISTRIBUTOR | C3602BE | | | | |
| 2 | 11 | | STRAINER(OR FILTER DRIER) | 3/8" | | | | |
| 2 | 12 | | HEADER | C1201T-1/2H | | | | |
| 4 | 13 | | CHECK JOINT | ø22.2 | | | | |
| 1 | 14 | | AIR FILTER | 영화비닐 | | | | |
| 1 | 15 | | AIR FILTER | 부직포 | | | | |
| 1 | 16 | | AIR INLET GRILLE | | | | | |
| 1 | 17 | | AIR OUTLET GRILLE | | | | | |




SPECIFICATIONS

| | UNIT | MODEL |
|--------------------------------|-------------|----------------------------|
| COOLING CAPACITY | kcal / h | HT - A8GG3 |
| NOMINAL AIR VOLUME | CMH | 60 |
| EXTERNAL STATIC PRESSURE | mmHg | 0 |
| HEATING CAPACITY | kcal / h | 20,640 |
| HEATING SOURCE | STEAM | kg/cm ² G |
| HEATING SOURCE | HOT WATER | °C |
| HEATING SOURCE | ELECTRIC | 24 kW |
| HUMIDIFIER HUMIDIFIER CAPACITY | kg / h | 6.6 |
| HUMIDIFIER SOURCE | STEAM | kg/cm ² G |
| HUMIDIFIER SOURCE | HOT WATER | kg/cm ² G |
| HUMIDIFIER SOURCE | ELECTRIC | 5.0 kW |
| CONNECTION DIRECTION | RIGHT | (LEFT) |
| CONNECTION DIRECTION | RIGHT | (LEFT) |
| CONNECTION DIRECTION | RIGHT | (LEFT) |
| CONNECTION SIZE | FOR HEATING | INLET A OUTLET A |
| CONNECTION SIZE | FOR COOLING | GAS 5/8" LIQUID 3/8" |
| CONDITION STANDARD | INDOOR | 25°C ± 2°C DB, 55% ± 5% RH |
| CONDITION STANDARD | OUTDOOR | 35°C DB |

NOTE

1. STANDARD PIPING DIRECTION IS LEFT.
2. PAINTING COLOR : IVORY WHITE(RAL-341 OR MUNSELL NO. 5.6Y 9.0/1.0)
3. HEATER : MAGNET CONTROL
HUMIDIFIER : ELECTRONIC ELECTRODE
4. OUTDOOR UNIT : RC-F3G7 x 2UNIT

| | | | | | |
|---|-------------|--|-------|------------------------|----------------|
| TOLERANCES UNLESS OTHERWISE SPECIFIED | | PRODUCT NAME | | TITLE | |
| | | COMPUTER ROOM PACKAGED AIR CONDITIONER | | ASSEMBLY | |
| MODEL | | HT - A8GG3 | | (AIR COOLED TYPE) | |
| DWN. BY | DESIGNED BY | CHKD. BY | APPD. | THIRD ANGLE PROJECTION | SCALE 1 : 15 |
| | | | | REFERENCE DRW. NO. | UNIT : mm |
|  (주) 세원센추리 | | | | DRAWING NO. | HTU075-13110GG |