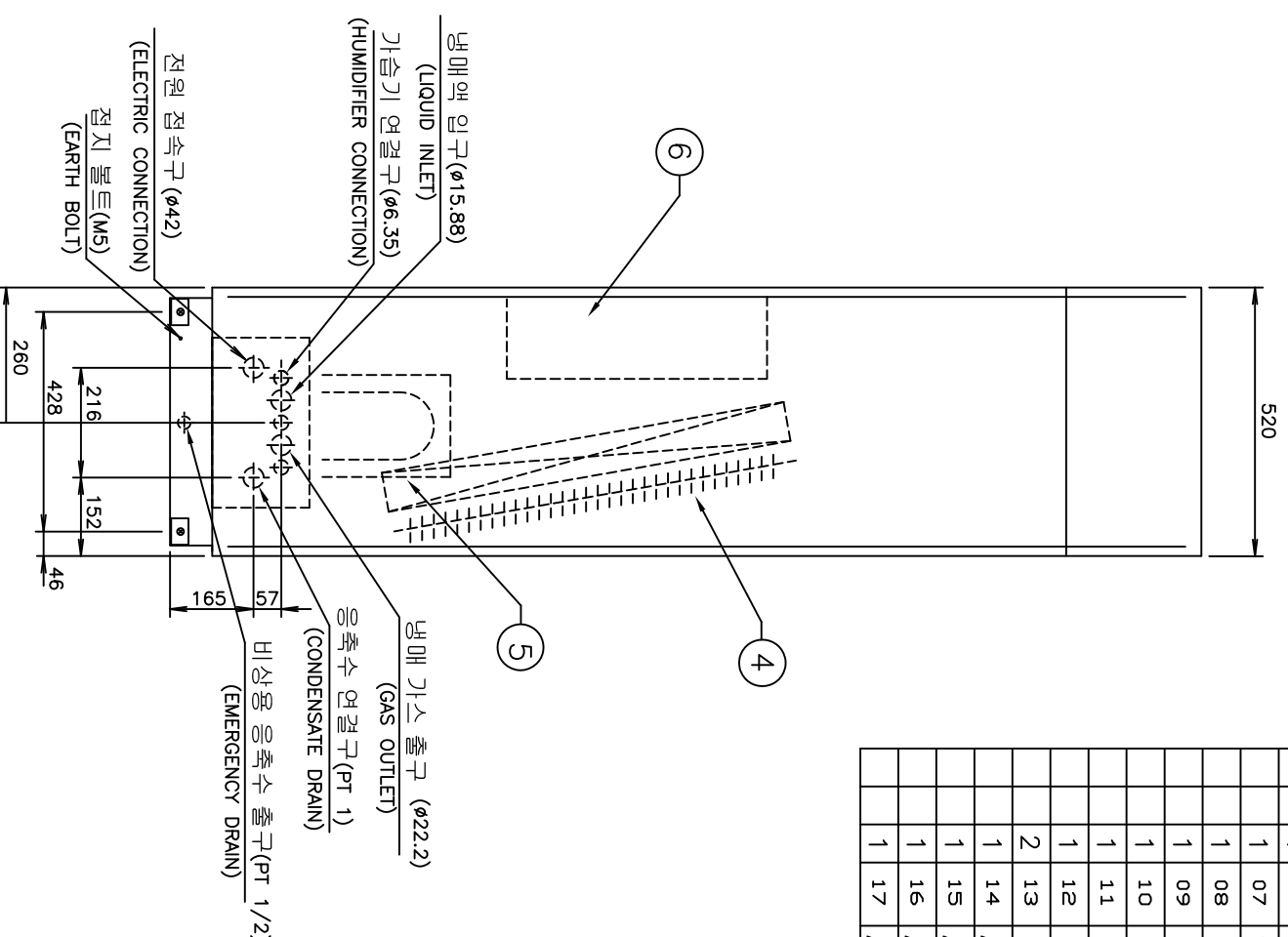
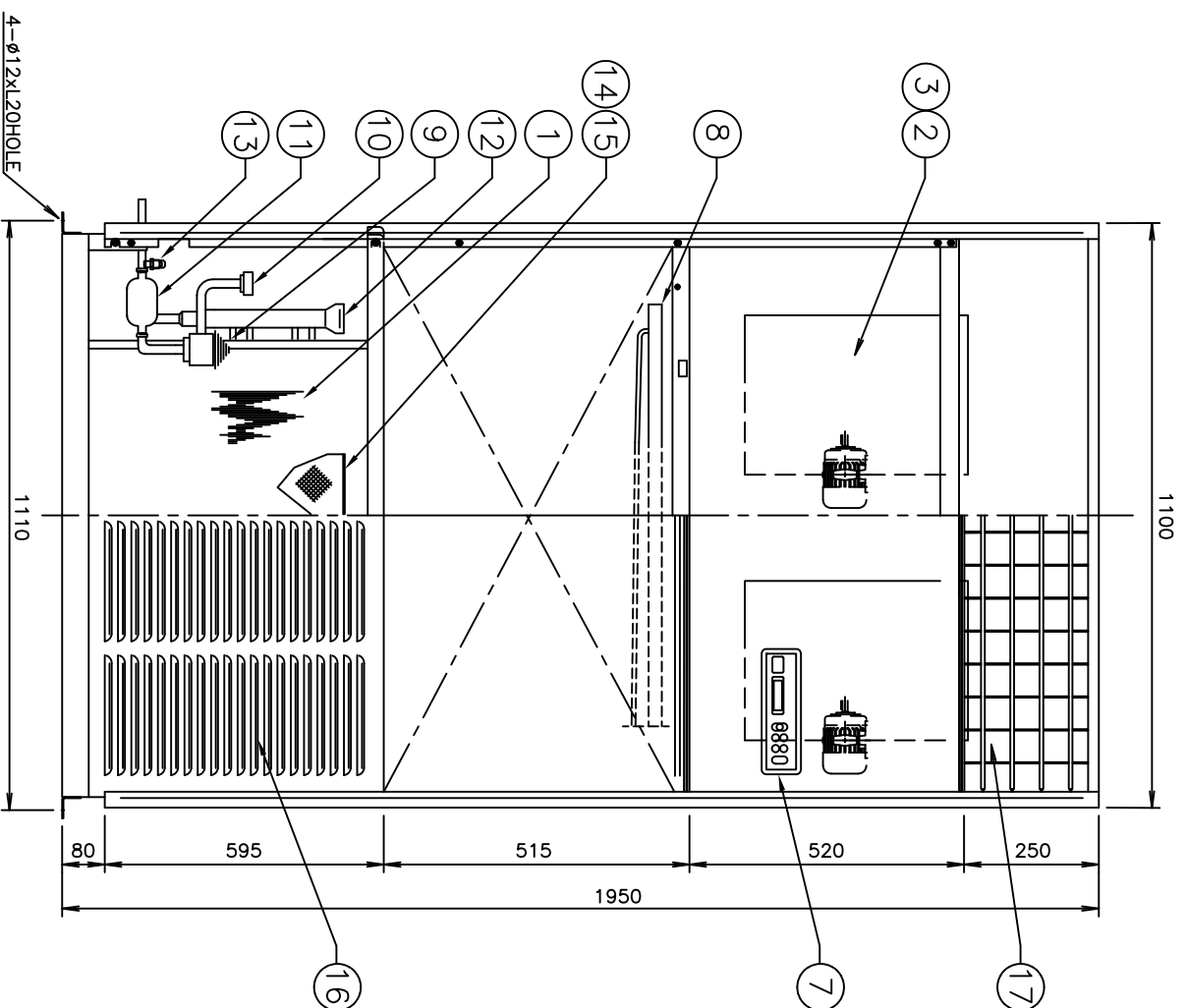


C	B	A	NO.	ALTERATION	DATE	CHKD	APPD	
Q'T	Q'T	Q'T	ITEM	DESCRIPTION	M.T.L.	REMARK	SHEAR SIZE	WEIGHT
1	01		EVAPORATOR	MULTI-PASS CROSS FINNED TUBE				
2	02		BLOWER	DS # 1-2/3 X 2EA				
2	03		FAN MOTOR	AC 3Ø V 0.4kW 6P 60Hz X 2EA				
1	04		HEATING COIL	ASS'Y				
1	05		HUMIDIFIER	ASS'Y				
1	06		CONTROL BOX	ASS'Y				
1	07		SWITCH BOX	ASS'Y				
1	08		HUMIDI. DISTRIBUTOR	ASS'Y				
1	09		EXPANSION VALVE	7.5RT				
1	10		DISTRIBUTOR	C3602BE Ø58				
1	11		STRAINER(OR FILTER DRIER)	5/8"				
1	12		HEADER	C1201T-1/2H Ø31.75				
2	13		CHECK JOINT	ASS'Y				
1	14		AIR FILTER	영화비닐 부직포	ASS'Y			
1	15		AIR FILTER	부직포	ASS'Y			
1	16		AIR INLET GRILLE	ASS'Y				
1	17		AIR OUTLET GRILLE	ASS'Y				



SPECIFICATIONS

	UNIT	MODEL
COOLING CAPACITY	kcal / h	HT - A7.5GG3
NORMAL AIR VOLUME	CMH	20,500
EXTERNAL STATIC PRESSURE	mmHg	80
HEATING CAPACITY	kcal / h	20,640
HEATING SOURCE	STEAM	kg/cm <sup>2</sup> G
HEATING SOURCE	HOT WATER	kg / h
HEATING SOURCE	ELECTRIC	24 kW (SSR + MAGNET CONTROL)
HUMIDIFIER SOURCE	HOT WATER	kg/cm <sup>2</sup> G
HUMIDIFIER SOURCE	ELECTRIC	5.0 kW x 1 STEP
CONNECTION DIRECTION	COOLING WATER	RIGHT
CONNECTION DIRECTION	HEATING	RIGHT
CONNECTION DIRECTION	HUMIDIFIER	RIGHT
CONNECTION DIRECTION	HEATING	LEFT
CONNECTION DIRECTION	HUMIDIFIER	LEFT
CONNECTION SIZE	FOR COOLING	GAS 7/8" LIQUID 5/8"
CONNECTION SIZE	FOR HEATING	INLET A OUTLET A
CONDITION STANDARD	INDOOR	25°C ± 2°C DB, 55% ± 5% RH
CONDITION STANDARD	OUTDOOR	35°C DB

NOTE

1. STANDARD PIPING DIRECTION IS LEFT.
2. PAINTING COLOR : IVORY WHITE(RAL-341 OR MUNSELL NO. 5.6Y 9.0/1.0)
3. HEATER : MAGNET CONTROL  
HUMIDIFIER : ELECTRONIC ELECTRODE
4. OUTDOOR UNIT : RC-F7.5G7

TOLERANCES UNLESS OTHERWISE SPECIFIED	PRODUCT NAME	COMPUTER ROOM PACKAGED AIR CONDITIONER
	MODEL	HT - A7.5GG3
	DWN. BY	DESIGNED BY
		CHKD. BY
		APPD.

TITLE	ASSEMBLY		
	( AIR COOLED TYPE )		
THIRD ANGLE PROJECTION	SCALE	1 : 15	UNIT : mm
REFERENCE DRW. NO.			



(주) 세원센추리

DRAWING NO.

HTU075-13110GG