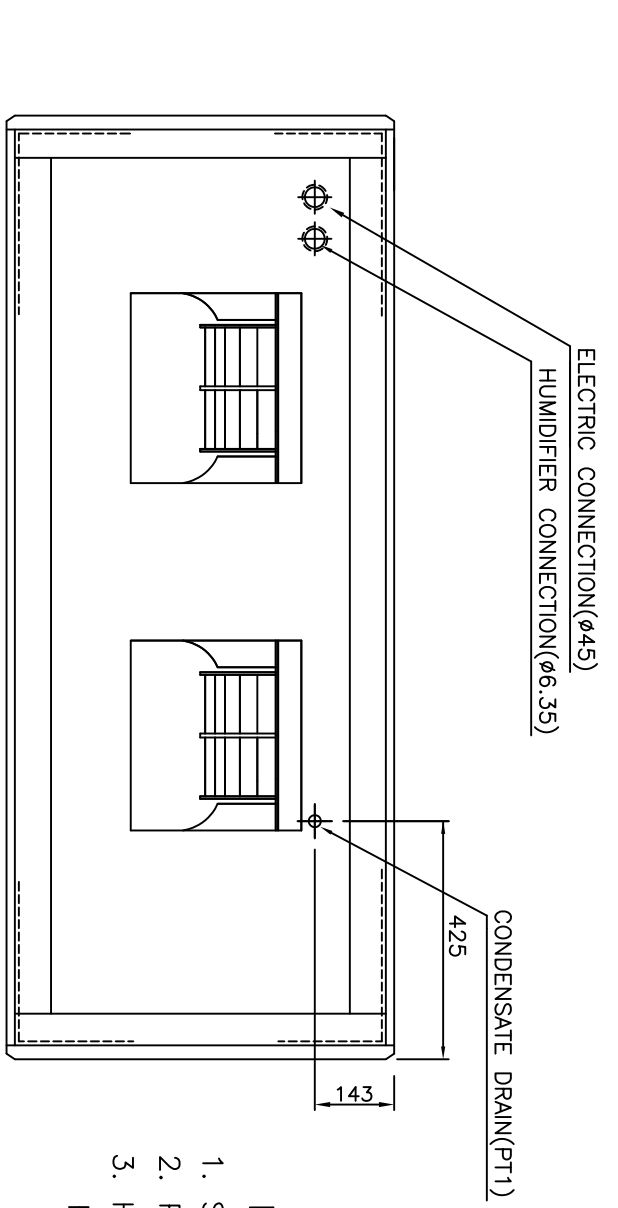
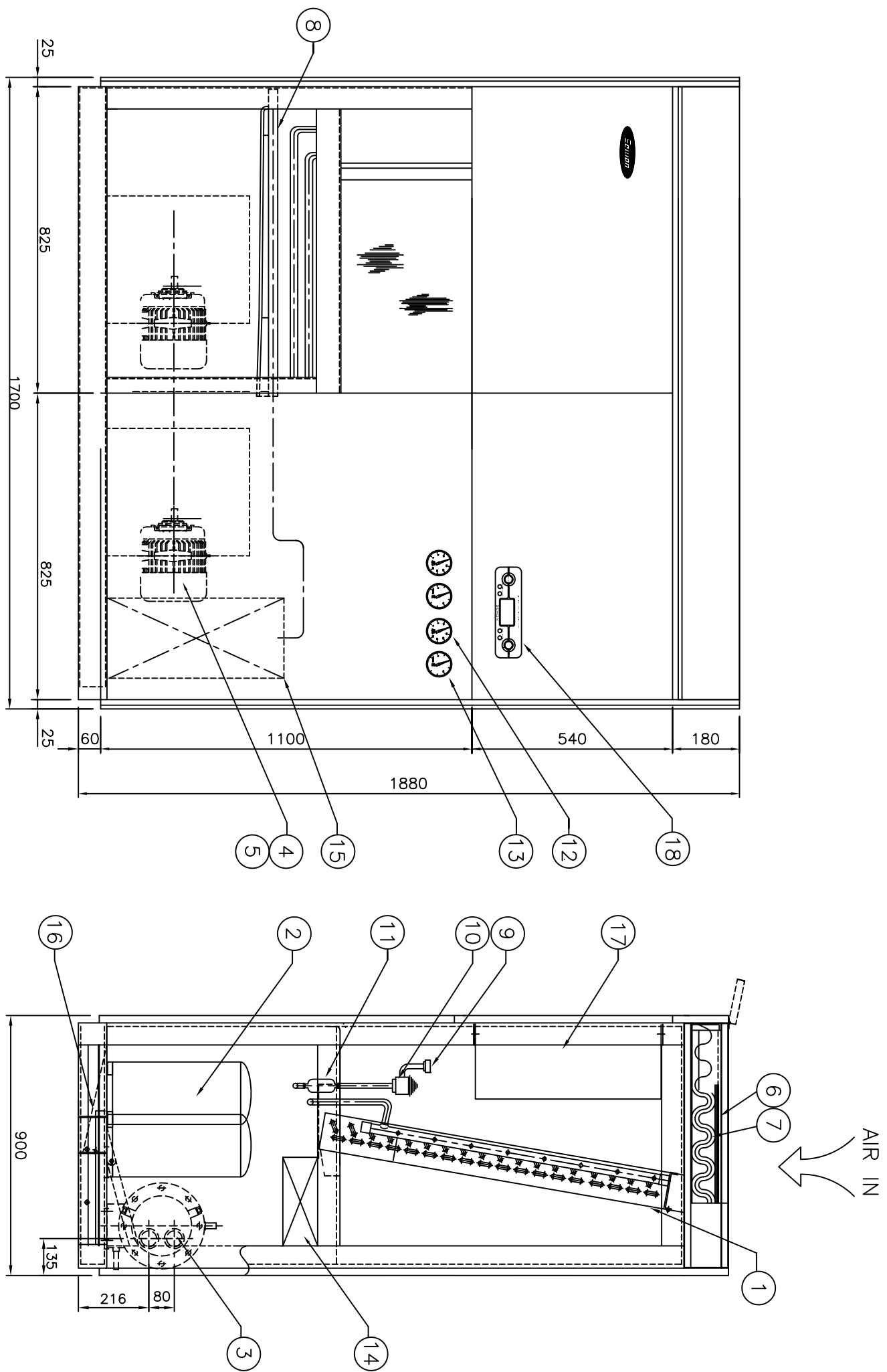


C	B	A	NO.	ALTERATION	DATE	CHKD	APPD
			Δ				
			Δ				
			Δ				
			Δ				
QTY	QTY	ITEM	DESCRIPTION	MLT.	REMARK	SHEAR SIZE	WEIGHT
1	01	EVAPORATOR			MULTI-PASS CROSS FINNED TUBE		
2	02	COMPRESSOR			SHP		
1	03	CONDENSER			SHELL & TUBE		
2	04	BLOWER			DS # 2 X 2EA		
2	05	MOTOR			V 0.25KW 8P 60Hz X 2EA		
3	06	AIR FILTER (PRE)	영호비닐		ASS'Y		
3	07	AIR FILTER (MAIN)	부원포		ASS'Y		
1	08	HUMIDI. DISTRIBUTOR			ASS'Y		
2	09	DISTRIBUTOR	C3602BE		Ø58		
2	10	EXPANSION V/V			5RT		
2	11	STRAINER/OR FILTER (DRIER)			1/2"		
2	12	HIGH PRESS. GAGE			ASS'Y		
2	13	LOW PRESS. GAGE			ASS'Y		
1	14	ELECTRIC HEATER			ASS'Y		
1	15	HUMIDIFIER			ASS'Y		
2	16	DRAIN PAN	Egi		t 1.2		
1	17	CONTROL BOX			ASS'Y		
1	18	MAGNETIC S/W BOX			ASS'Y		



- NOTE
1. STANDARD PIPING DIRECTION IS RIGHT
  2. PAINTING COLOR : IVORY WHITE(RAL-341 OR MUNSELL NO. 5.6Y 9.0/1.0)
  3. HEATER : SSR + MAGNET CONTROL  
HUMIDIFIER : ELECTRONIC ELECTRODE

SPECIFICATIONS

ITEM	UNIT	MODEL	HT - W10CG3
COOLING CAPACITY	kcal / h		28,000
NOMINAL AIR VOLUME	CMH		130
EXTERNAL STATIC PRESSURE	mmAq		1~2
HEATING CAPACITY	kcal / h		10,320
HEATING SOURCE	HOT WATER		kg/cm <sup>2</sup> G
HEATING SOURCE	ELECTRIC		12 kW
HUMIDIFIER SOURCE	HOT WATER		kg / h
HUMIDIFIER SOURCE	ELECTRIC		7.0
HUMIDIFIER SOURCE	HOT WATER		kg/cm <sup>2</sup> G
HUMIDIFIER SOURCE	ELECTRIC		5.3 kW x 1 STEP
PIPING CONNECTION DIRECTION			COOLING WATER (RIGHT) DOWN LEFT
PIPING CONNECTION DIRECTION			HEATING (RIGHT) DOWN LEFT
PIPING CONNECTION DIRECTION			HUMIDIFIER (RIGHT) DOWN LEFT
CONNECTION SIZE			FOR COOLING GAS 3/4" LIQUID 1/2"
CONNECTION SIZE			FOR WATER INLET 40 A OUTLET 40 A
STANDARD CONDITION	INDOOR C.WATER INLET TEMP		22 ±2°C DB, 50 ±5% RH
STANDARD CONDITION	C.WATER INLET TEMP		30 °C DB
STANDARD CONDITION	C.WATER QTY		7.9 m <sup>3</sup> /h

TOLERANCES UNLESS OTHERWISE SPECIFIED				TITLE			
PRODUCT NAME				COMPUTER ROOM ASSEMBLY DWG.			
PACKAGED AIR CONDITIONER				(WATER COOLED TYPE)			
MODEL				HT - W10CG3			
DMN. BY	DESIGNED BY	CHKED. BY	APPD.	THIRD ANGLE PROJECTION	SCALE	1/20	UNIT : mm
				REFERENCE DRW. NO.			
DRAWING NO.				HTD100-13220CG			



(주) 세원엔지니어링