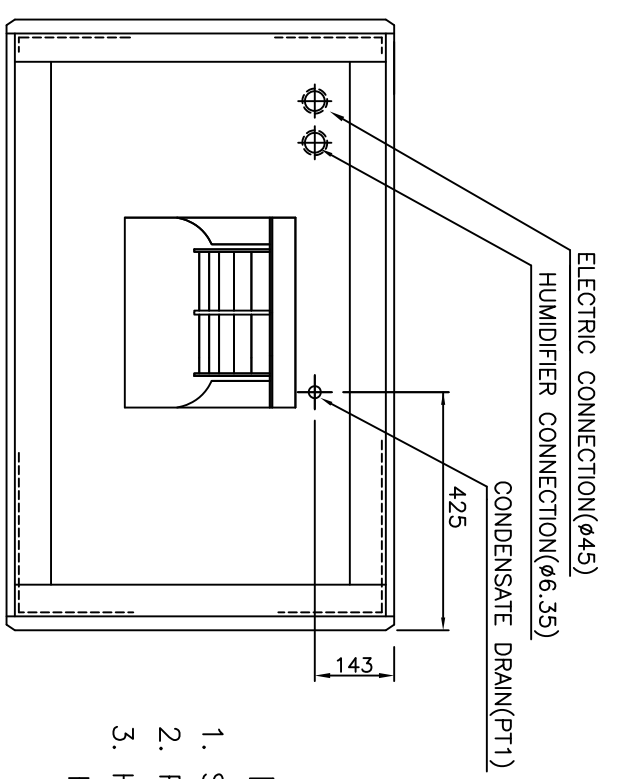
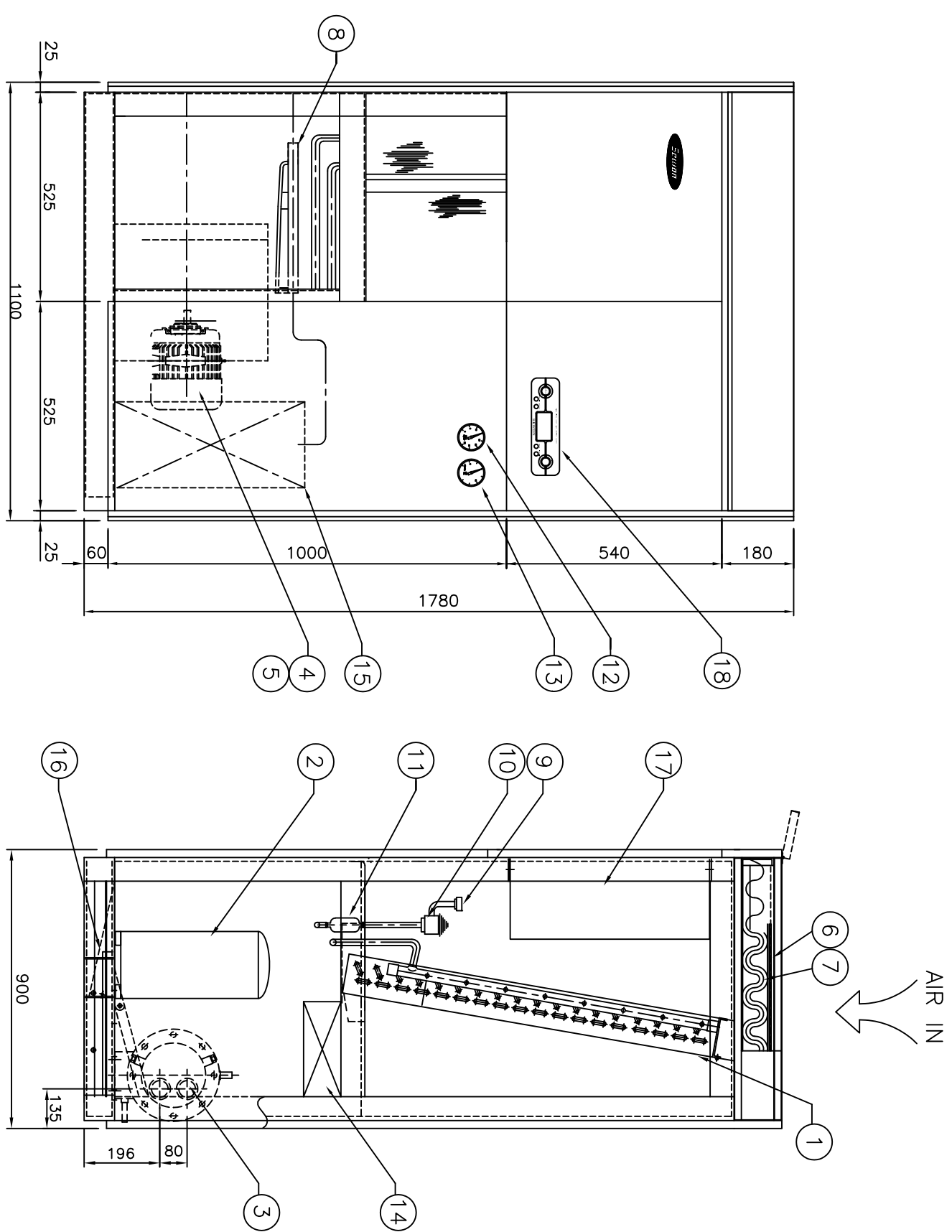


C	B	A	NO.	ALTERATION	DATE	CHKD	APPD
			Δ				
			Δ				
			Δ				
			Δ				
QTY	QTY	ITEM	DESCRIPTION	MLT.	REMARK	SHEAR SIZE	WEIGHT
1	01	EVAPORATOR			MULTI-PASS CROSS FINNED TUBE		
1	02	COMPRESSOR			3HP		
1	03	CONDENSER			SHELL & TUBE		
1	04	BLOWER			DS # 1-5/6		
1	05	MOTOR			V 0.15kW 8P 60Hz		
3	06	AIR FILTER (PRE)	영호비닐		ASS'Y		
3	07	AIR FILTER (MAIN)	부록포		ASS'Y		
1	08	HUMIDI. DISTRIBUTOR			ASS'Y		
1	09	DISTRIBUTOR	C3602BE		Ø58		
1	10	EXPANSION V/V			3RT		
1	11	STRAINER/OR FILTER (DRIER)			3/8"		
1	12	HIGH PRESS. GAGE			ASS'Y		
1	13	LOW PRESS. GAGE			ASS'Y		
1	14	ELECTRIC HEATER			ASS'Y		
1	15	HUMIDIFIER			ASS'Y		
2	16	DRAIN PAN	EGI		† 1.2		
1	17	CONTROL BOX			ASS'Y		
1	18	MAGNETIC S/W BOX			ASS'Y		

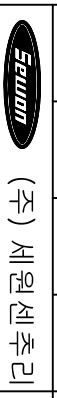


- NOTE
1. STANDARD PIPING DIRECTION IS RIGHT
 2. PAINTING COLOR : IVORY WHITE(RAL-341 OR MUNSELL NO. 5.6Y 9.0/1.0)
 3. HEATER : SSR + MAGNET CONTROL
HUMIDIFIER : ELECTRONIC ELECTRODE

SPECIFICATIONS

ITEM	UNIT	MODEL
COOLING CAPACITY	kcal / h	HT - W3CG3
NOMINAL AIR VOLUME	CMH	50
EXTERNAL STATIC PRESSURE	mmAq	1~2
HEATING CAPACITY	kcal / h	5,160
HEATING SOURCE	HOT WATER	ROW
HEATING SOURCE	ELECTRIC	6 kW
HUMIDIFIER HUMIDIFIER CAPACITY	kg / h	2.7
HUMIDIFIER SOURCE	HOT WATER	
HUMIDIFIER SOURCE	ELECTRIC	2.0 kW x 1 STEP
PIPING CONNECTION DIRECTION	COOLING WATER	(RIGHT) DOWN LEFT
PIPING CONNECTION DIRECTION	HEATING	RIGHT DOWN LEFT
PIPING CONNECTION DIRECTION	HUMIDIFIER	(RIGHT) DOWN LEFT
CONNECTION SIZE	FOR COOLING	GAS 5/8" LIQUID 3/8"
CONNECTION SIZE	FOR WATER	INLET 25 A OUTLET 25 A
STANDARD CONDITION	INDOOR C.WATER INLET TEMP	22 ±2°C DB, 50 ±5% RH
STANDARD CONDITION	C.WATER QTY	30 °C DB 2.3 m ³ /h

TOLERANCES UNLESS OTHERWISE SPECIFIED				TITLE			
PRODUCT NAME COMPUTER ROOM PACKAGED AIR CONDITIONER				ASSEMBLY DWG. (WATER COOLED TYPE)			
MODEL HT - W3CG3				THIRD ANGLE PROJECTION			
DMN. BY	DESIGNED BY	CHKD. BY	APPD.	SCALE	1/20	UNIT	mm
DRAWING NO. HTDD030-13210GG				DRAWING NO. HTDD030-13210GG			



(주) 세원세추리