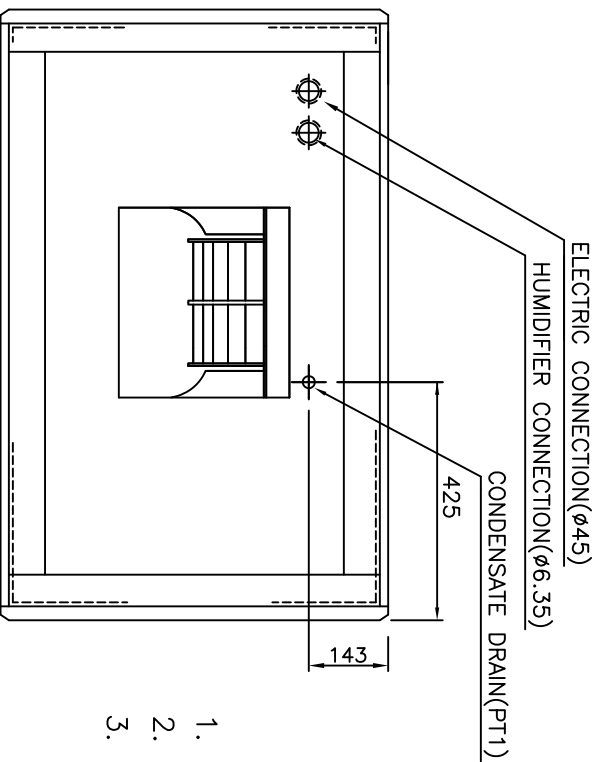
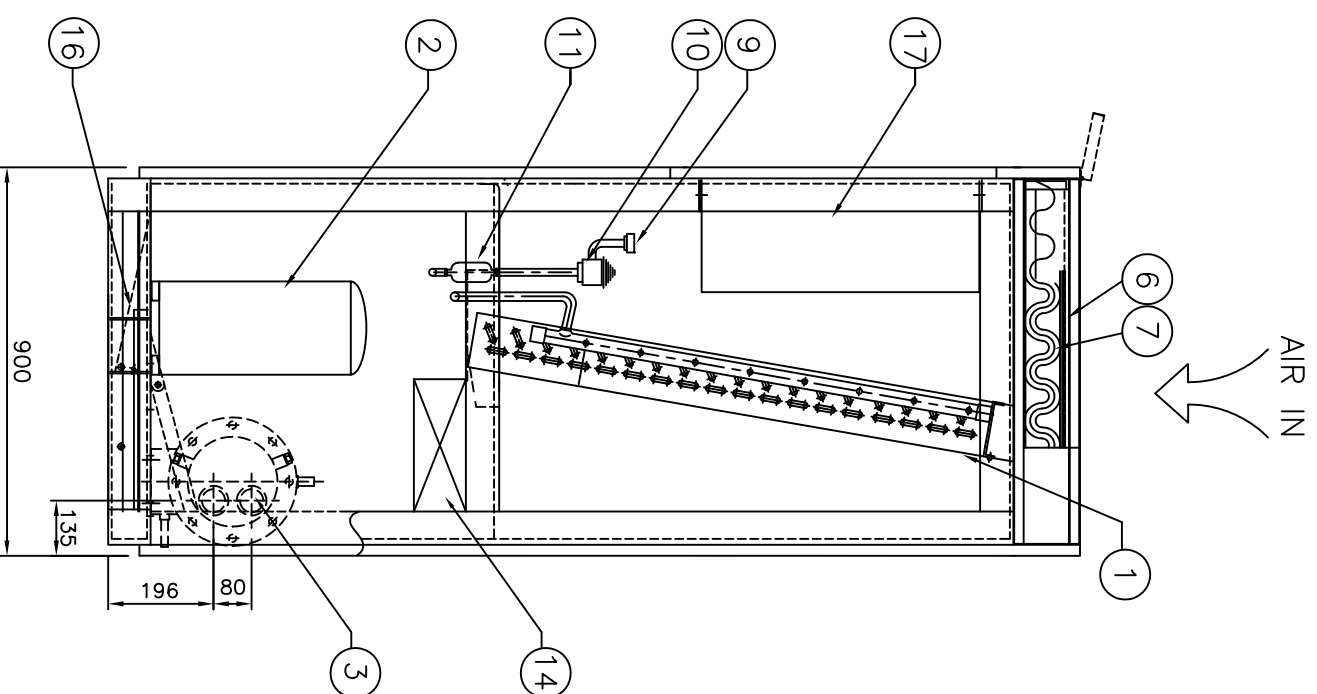
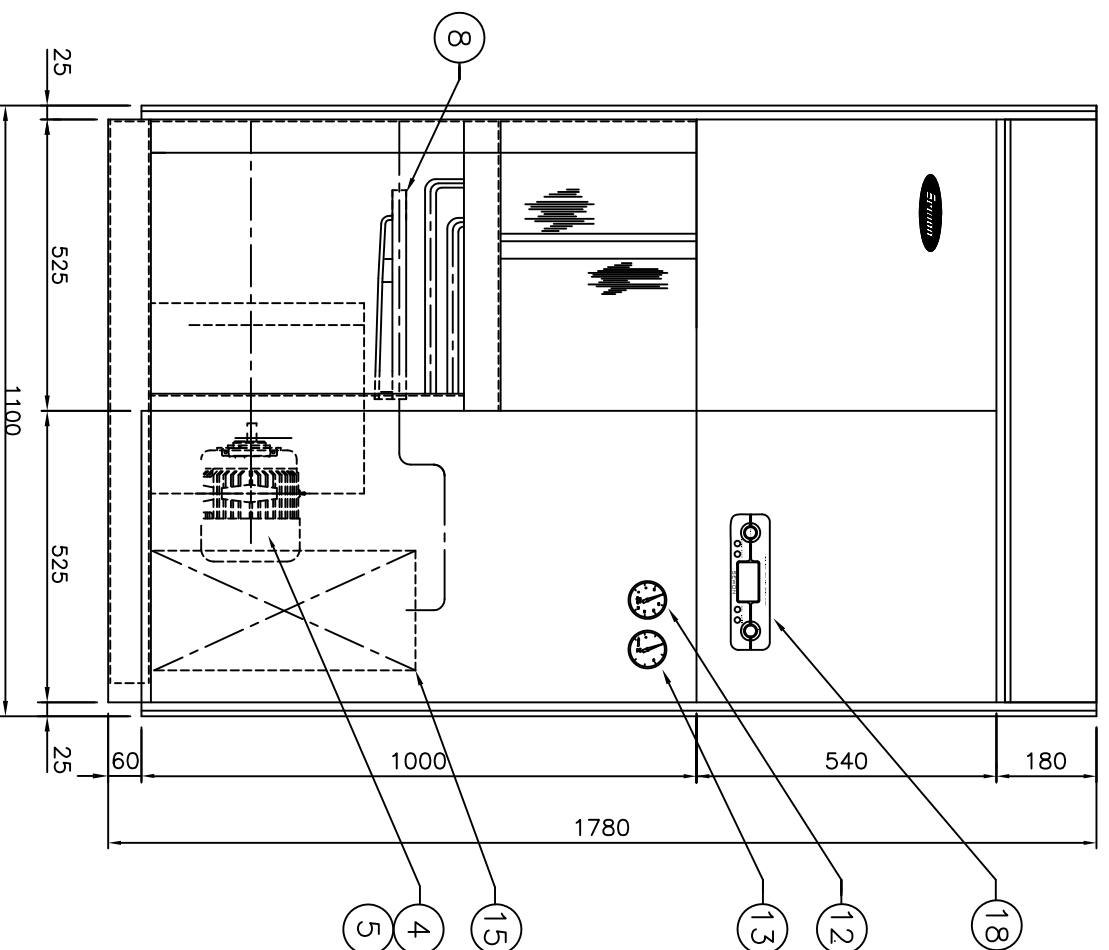


C	B	A	NO.	ALTERATION	DATE	CHKD	APPD
			Δ				
			Δ				
			Δ				
			Δ				
QTY	QTY	ITEM	DESCRIPTION	MLT.	REMARK	SHEAR SIZE	WEIGHT
1	01	EVAPORATOR			MULTI-PASS CROSS FINNED TUBE		
1	02	COMPRESSOR			SHP		
1	03	CONDENSER			SHELL & TUBE		
1	04	BLOWER			DS # 2		
1	05	MOTOR			V 0.25kW 8P 60Hz		
3	06	AIR FILTER (PRE)	영화비닐		ASS'Y		
3	07	AIR FILTER (MAIN)	부직포		ASS'Y		
1	08	HUMIDI. DISTRIBUTOR			ASS'Y		
1	09	DISTRIBUTOR	C3602BE		Ø58		
1	10	EXPANSION V/V			5RT		
1	11	STRAINER/OR FILTER (DRIER)			3/8"		
1	12	HIGH PRESS. GAGE			ASS'Y		
1	13	LOW PRESS. GAGE			ASS'Y		
1	14	ELECTRIC HEATER			ASS'Y		
1	15	HUMIDIFIER			ASS'Y		
2	16	DRAIN PAN	EGI		t 1.2		
1	17	CONTROL BOX			ASS'Y		
1	18	MAGNETIC S/W BOX			ASS'Y		



- NOTE
1. STANDARD PIPING DIRECTION IS RIGHT
 2. PAINTING COLOR : IVORY WHITE(RAL-341 OR MUNSELL NO. 5.6Y 9.0/1.0)
 3. HEATER : SSR + MAGNET CONTROL
HUMIDIFIER : ELECTRONIC ELECTRODE

SPECIFICATIONS

ITEM	UNIT	MODEL
COOLING CAPACITY	kcal / h	HT - W5CG3
NOMINAL AIR VOLUME	CMH	65
EXTERNAL STATIC PRESSURE	mmAq	2~3
HEATING CAPACITY	kcal / h	5,160
HEATING SOURCE	HOT WATER	kg/cm ² G
HEATING SOURCE	ELECTRIC	°C
HUMIDIFIER HUMIDIFIER CAPACITY	kg / h	6 kW
HUMIDIFIER SOURCE	HOT WATER	kg / cm ² G
HUMIDIFIER SOURCE	ELECTRIC	kg/cm ² G
PIPING CONNECTION DIRECTION	CONNECTION DIRECTION	4.1 kW x 1 STEP
PIPING CONNECTION SIZE	CONNECTION SIZE	COOLING WATER (RIGHT) DOWN LEFT
PIPING CONNECTION SIZE	CONNECTION SIZE	HEATING (RIGHT) DOWN LEFT
PIPING CONNECTION SIZE	CONNECTION SIZE	HUMIDIFIER (RIGHT) DOWN LEFT
PIPING CONNECTION SIZE	CONNECTION SIZE	FOR COOLING GAS 5/8" LIQUID 3/8"
PIPING CONNECTION SIZE	CONNECTION SIZE	FOR WATER INLET 32 A OUTLET 32 A
STANDARD CONDITION	INDOOR C.WATER INLET TEMP	22 ±2°C DB, 50 ±5% RH
STANDARD CONDITION	C.WATER INLET TEMP	30 °C DB
STANDARD CONDITION	C.WATER QTY	4.0 m ³ /h

TOLERANCES UNLESS OTHERWISE SPECIFIED			
PRODUCT NAME	COMPUTER ROOM PACKAGED AIR CONDITIONER	TITLE	ASSEMBLY DWG. (WATER COOLED TYPE)
MODEL	HT - W5CG3	THIRD ANGLE PROJECTION	SCALE 1/20
DMN. BY	DESIGNED BY	CHKD. BY	APPD.
		REFERENCE PRODUCTION	UNIT : mm
		DRW. NO.	
		DRAWING NO.	HTD050-13210GG



(주) 세원세추리