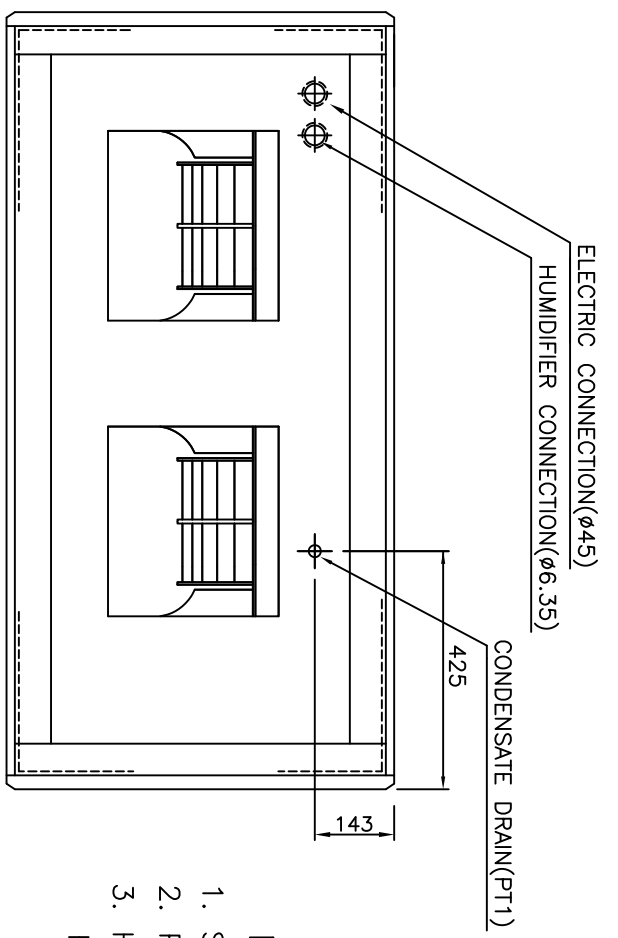
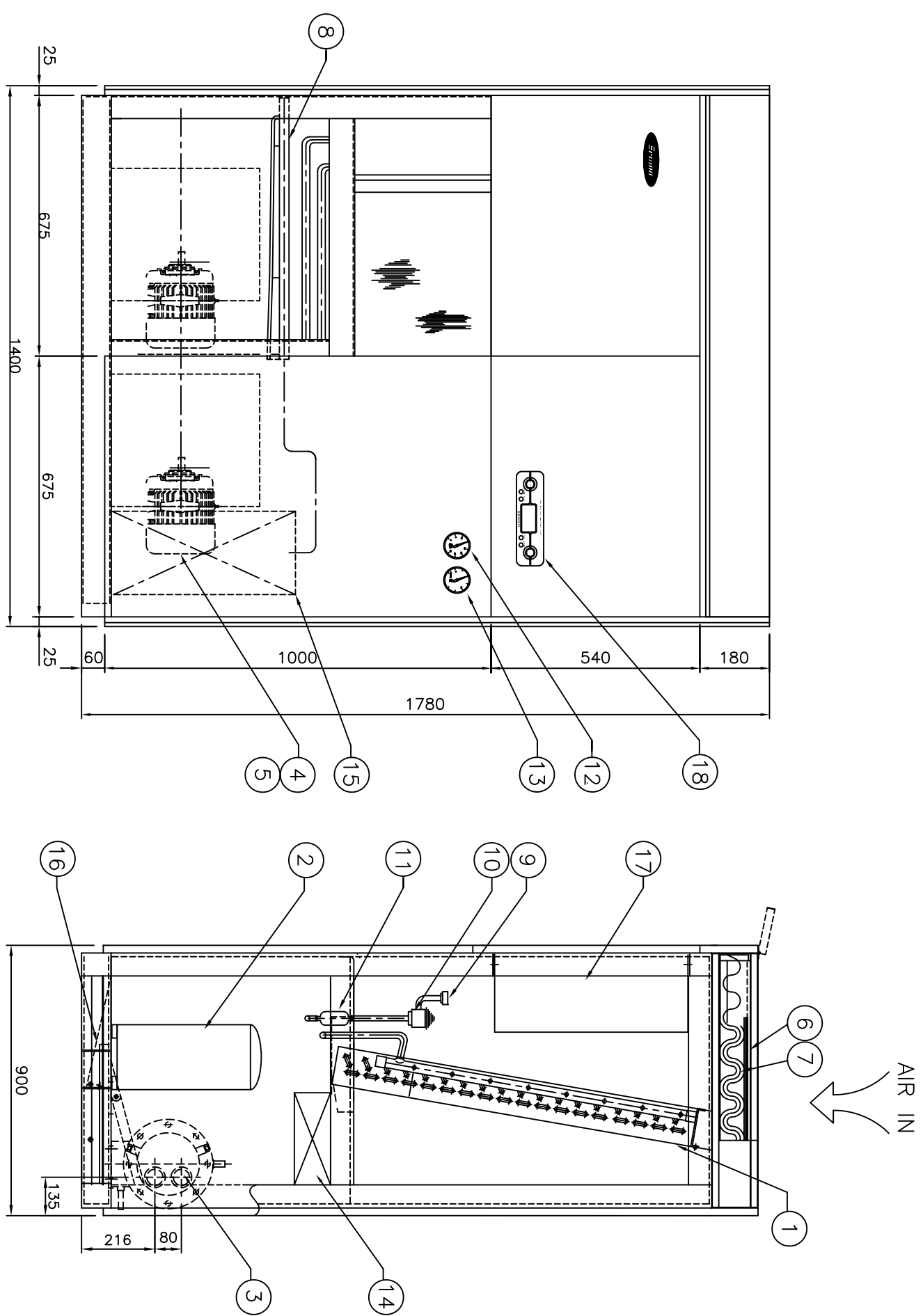


C	B	A	NO.	ALTERATION	DATE	CHKD	APPD
			Δ				
			Δ				
			Δ				
			Δ				
QTY	QTY	ITEM	DESCRIPTION	M.L.T.	REMARK	SHEAR SIZE	WEIGHT
1	01	EVAPORATOR			MULTI-PASS CROSS FINNED TUBE		
1	02	COMPRESSOR			7.5HP		
1	03	CONDENSER			SHELL & TUBE		
1	04	BLOWER			DS # 1-5/6 X PEA		
1	05	MOTOR			V 0.15KW 8P 60Hz X 2EA		
3	06	AIR FILTER (PRE)	영호비닐		ASS'Y		
3	07	AIR FILTER (MAIN)	부록포		ASS'Y		
1	08	HUMIDI. DISTRIBUTOR			ASS'Y		
1	09	DISTRIBUTOR	C3602BE		ASS'Y		
1	10	EXPANSION V/V			7.5RT		
1	11	STRAINER/OR FILTER (DRIER)			5/8"		
1	12	HIGH PRESS. GAGE			ASS'Y		
1	13	LOW PRESS. GAGE			ASS'Y		
1	14	ELECTRIC HEATER			ASS'Y		
1	15	HUMIDIFIER			ASS'Y		
2	16	DRAIN PAN	Egi		t 1.2		
1	17	CONTROL BOX			ASS'Y		
1	18	MAGNETIC S/W BOX			ASS'Y		



- NOTE
1. STANDARD PIPING DIRECTION IS RIGHT
 2. PAINTING COLOR : IVORY WHITE(RAL-341 OR MUNSELL NO. 5.6Y 9.0/1.0)
 3. HEATER : SSR + MAGNET CONTROL
- HUMIDIFIER : ELECTRONIC ELECTRODE

SPECIFICATIONS

ITEM	UNIT	MODEL	HT - W7.5CG3
COOLING CAPACITY	kcal / h		22,400
NOMINAL AIR VOLUME	GM		100
EXTERNAL STATIC PRESSURE	mmAq		1~2
HEATING CAPACITY	kcal / h		7,740
HEATING SOURCE	HOT WATER		kg/cm ² G
HEATING SOURCE	ELECTRIC		9 kW
HUMIDIFIER			
HUMIDIFIER CAPACITY	kg / h		6.6
HUMIDIFIER SOURCE	HOT WATER		kg/cm ² G
HUMIDIFIER SOURCE	ELECTRIC		5.0 kW x 1 STEP
PIPING			
CONNECTION DIRECTION			(RIGHT) DOWN LEFT
CONNECTION DIRECTION			(RIGHT) DOWN LEFT
CONNECTION DIRECTION			(RIGHT) DOWN LEFT
CONNECTION SIZE			FOR COOLING GAS 7/8" LIQUID 5/8"
CONNECTION SIZE			FOR WATER INLET 40 A OUTLET 40 A
STANDARD CONDITION			
INDOOR C.WATER INLET TEMP			22 ±2°C DB, 50 ±5% RH
C.WATER INLET TEMP			30 °C DB
C.WATER QTY			5.9 m ³ /h

TOLERANCES UNLESS OTHERWISE SPECIFIED			
PRODUCT NAME	COMPUTER ROOM PACKAGED AIR CONDITIONER	TITLE	ASSEMBLY DWG. (WATER COOLED TYPE)
MODEL	HT - W7.5CG3	THIRD ANGLE PROJECTION	SCALE 1/20
DMN. BY	DESIGNED BY	CHKD. BY	APPD.
		REFERENCE	DRW. NO.
		DRAWING NO.	HTD075-13210GG



(주) 세원세추리