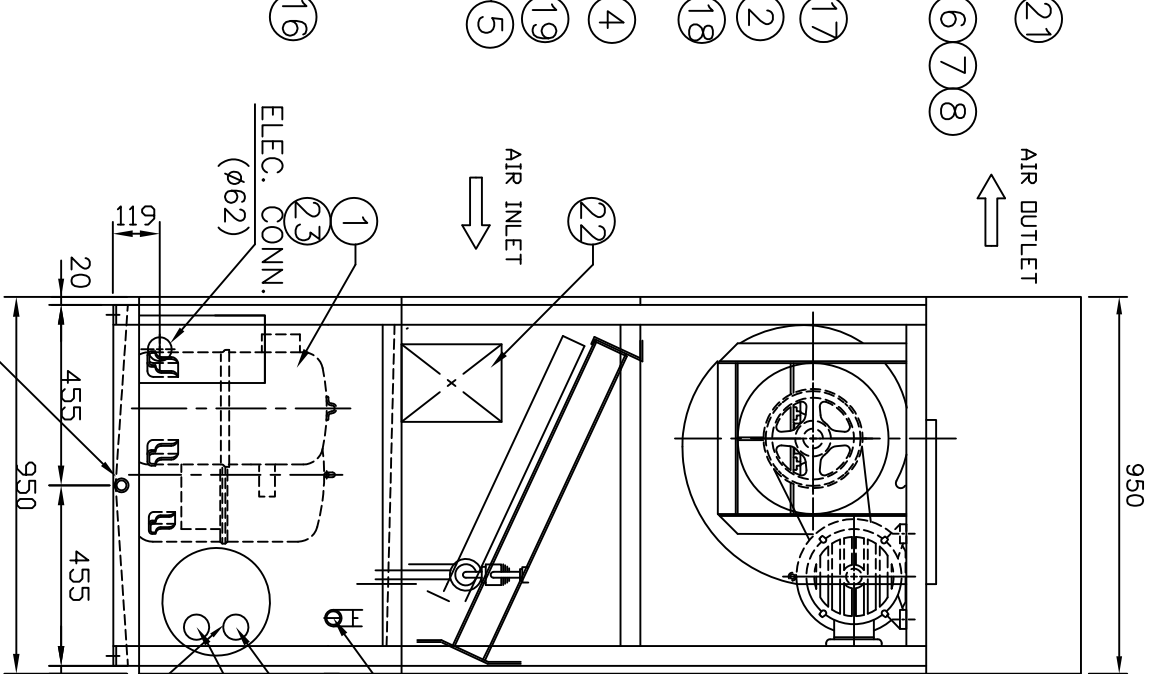
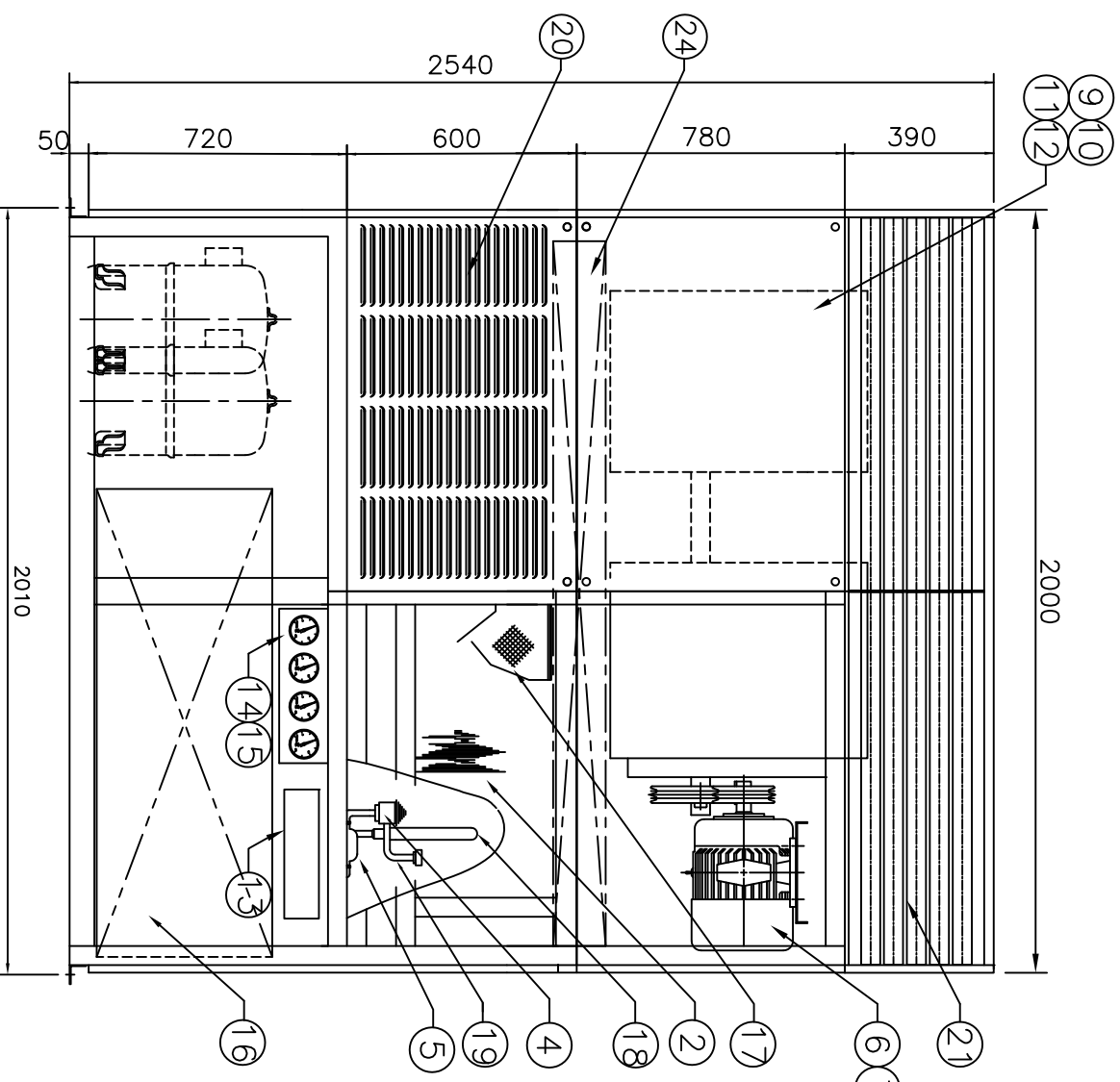
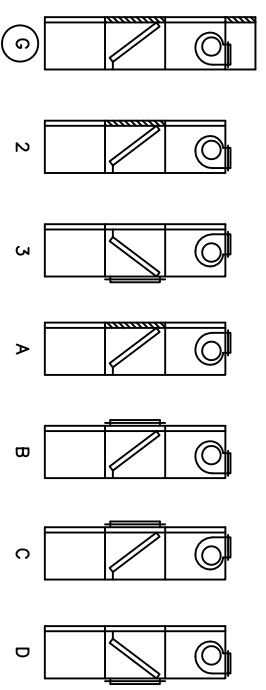


SPECIFICATIONS

ITEM	UNIT	MODEL
COOLING CAPACITY	kcal / h	HT-W30CG3
NORMAL AIR VOLUME	CMM	96,000
EXTERNAL STATIC PRESSURE	mmHg	260
HEATING CAPACITY	kcal / h	0
HEATING SOURCE	kg/cm <sup>2</sup> G	51,600
HEATING SOURCE HOT WATER	°C	60
HEATING SOURCE ELECTRIC	KW	60
PIPING CONNECTION DIRECTION	COOLING WATER	RIGHT LEFT
PIPING CONNECTION DIRECTION	HEATING	RIGHT LEFT
PIPING CONNECTION DIRECTION	HUMIDIFIER	RIGHT LEFT
PIPING CONNECTION SIZE	FOR COOLING INLET	65 A OUTLET 65 A
PIPING CONNECTION SIZE	FOR HEATING INLET	A OUTLET A
STANDARD CONDITION	C.WATER INLET TEMP	27°C DB, 19.5°C WB
STANDARD CONDITION	C.WATER QTY	30 T C 24.7m <sup>3</sup> /h



C	B	A	NO.	ALTERATION	DATE	CHKD	APPD	
			1					
			2					
			3					
			4					
QTY	QTY	QTY	ITEM	DESCRIPTION	MTL.	REMARK	SHEAR SIZE	WEIGHT
2	01		COMPRESSOR				15HP	
1	02		EVAPORATOR			MULTI-PASS CROSS FINNED TUBE		
1	03		CONDENSER			SHELL & TUBE CONDENSER		
2	04		EXPANSION V/V			15RT		
2	05		STRAINER(OR FILTER DRIER)			7/8"		
1	06		BLOWER MOTOR			3ø V 4P 3.7KW		
1	07		MOTOR PULLEY			2B 5"		
2	08		V-BELT			RUBBER		
2	09		BLOWER			DS #2-1/2		
1	10		BLOWER PULLEY			2B 9.5"		
1	11		SHAFT			30A		
2	12		BEARING			ASS'Y		
1	13		SWITCH BOX			ASS'Y		
2	14		HIGH PRESS. GAUGE			ASS'Y		
2	15		LOW PRESS. GAUGE			ASS'Y		
1	16		CONTROL BOX			ASS'Y		
1	17		AIR FILTER			ASS'Y		
2	18		HEADER			C1220T		
2	19		DISTRIBUTOR			C3602BE		
1	20		AIR INLET			ASS'Y		
1	21		AIR OUTLET			ASS'Y		
2	22		HUMIDIFIER			ASS'Y		
2	23		CRANK CASE HEATER			75W		
1	24		HEATING COIL (E.H.C)			ASS'Y		



EMERGENCY DRAIN(25A, SOCKET)

TOLERANCES UNLESS OTHERWISE SPECIFIED	PRODUCT NAME	PACKAGED AIRCON	TITLE	ASSEMBLY DWG.
	MODEL	HT-W30CG3	WATER COOLED TYPE	

\*\*NOTE\*\*

1. TYPE : "G".
2. 배관 방향 : 우배관 표준



(주) 세원선추리

DRAWING NO.	HTU300-13220GD
-------------	----------------

THIRD ANGLE PROJECTION	SCALE 1 : 20	UNIT : mm
------------------------	--------------	-----------

REFERENCE DRW. NO.	
--------------------	--

DWN BY	DESIGNED BY	CHKD. BY	APPD.
--------	-------------	----------	-------