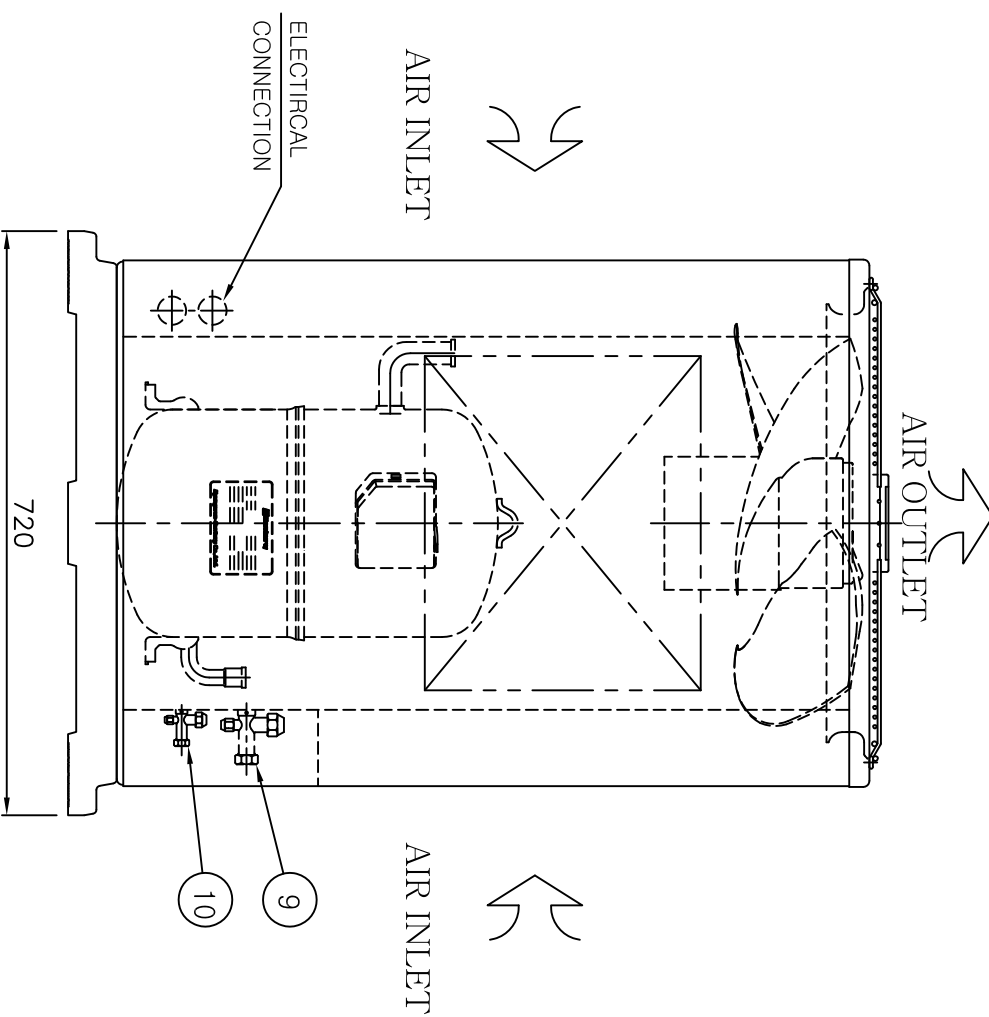


- NOTES:
1. MAIN POWER : AC 3Ø V 60HZ
 2. COMPRESSOR : RECIPRO OR SCROLL TYPE
 3. COLOR : IVORY WHITE (RAL-009 OR MUNSELL NO. 2.6GY 8.1/0.5)

C	B	A	MARK	REVISION RECORD	DATE	REVISED BY	CHECKED BY	APPD.
			△					
			△					
			△					
			△					
			△					

QTY./QTY.	PARTS NO.	PARTS NAME	MATERIAL	TREAT.	DIMENSION	WEIGHT	
						MTL.	FINED.
1	01	COMPRESSOR			10HP		
2	02	CONDENSER COIL			MULTI-PASS CROSS FINNED TUBE		
1	03	ACCUMULATOR			ASS'Y		
2	04	PROPELLER FAN			Ø 500		
2	05	FAN MOTOR			AC 3Ø V 60HZ 6P		
2	06	FAN GUARD			ASS'Y		
2	07	FIN GUARD			ASS'Y		
1	08	CONTROL BOX			ASS'Y		
1	09	GAS INLET VALVE			1"		
1	10	LIQUID OUTLET VALVE			5/8"		
1	11	RECEIVER TANK			ASS'Y		
1	12	LOW PRESSURE SWITCH			CUT OUT : 1 kg/cm ² CUT IN : 3 kg/cm ²		
1	13	HIGH PRESSURE SWITCH			CUT OUT : 27.3 kg/cm ² CUT IN : 21 kg/cm ²		
1	14	HIGH PRESSURE SWITCH (FOR FAN CONTROL)			SETTING : 18 kg/cm ² DIFF. : 3 kg/cm ²		
1	15	OIL SEPARATOR			ASS'Y		



TOLERANCES UNLESS OTHERWISE SPECIFIED		PRODUCT NAME		TITLE	
1~4	0.1	REMOTE CONDENSING UNIT		ASSEMBLY DRAWING	
4~16	0.2	RC-F10G7		(COOLING ONLY)	
16~63	0.3	DEV. BY	DESIGNED BY	CHECKED BY	APPD.
63~200	0.5				
200~400	0.7				
400~2000	0.8				
		THIRD ANGLE PROJECTION		SCALE	UNIT
		REFERENCE DRW. NO.		1:10	mm
		DRAWING NO.		RCF100-13100	Rev.



(주) 세원선추리