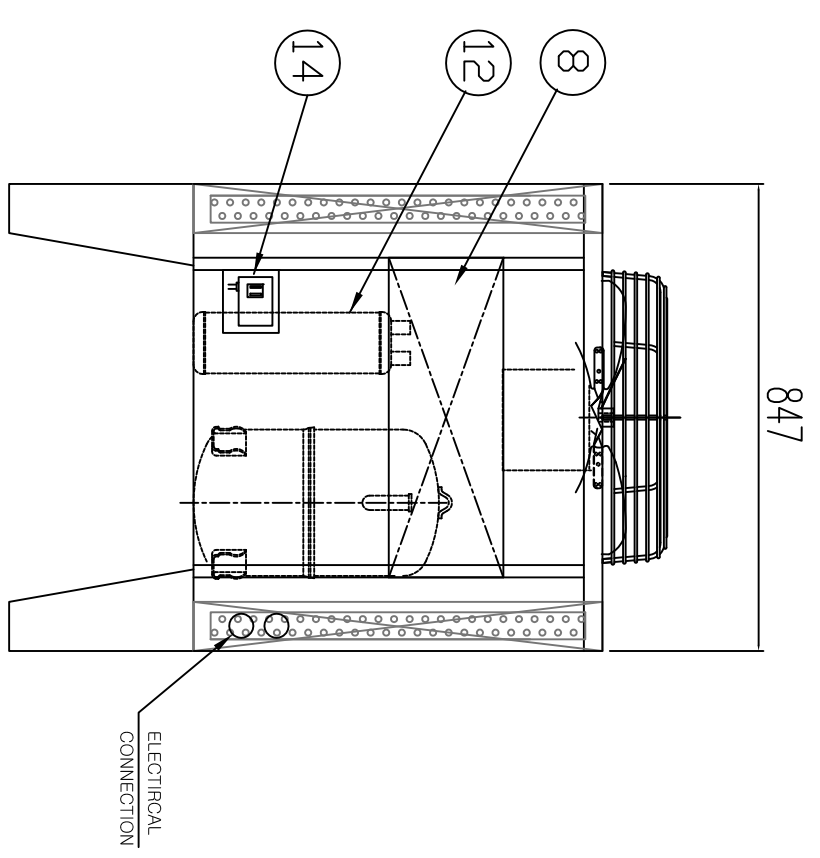
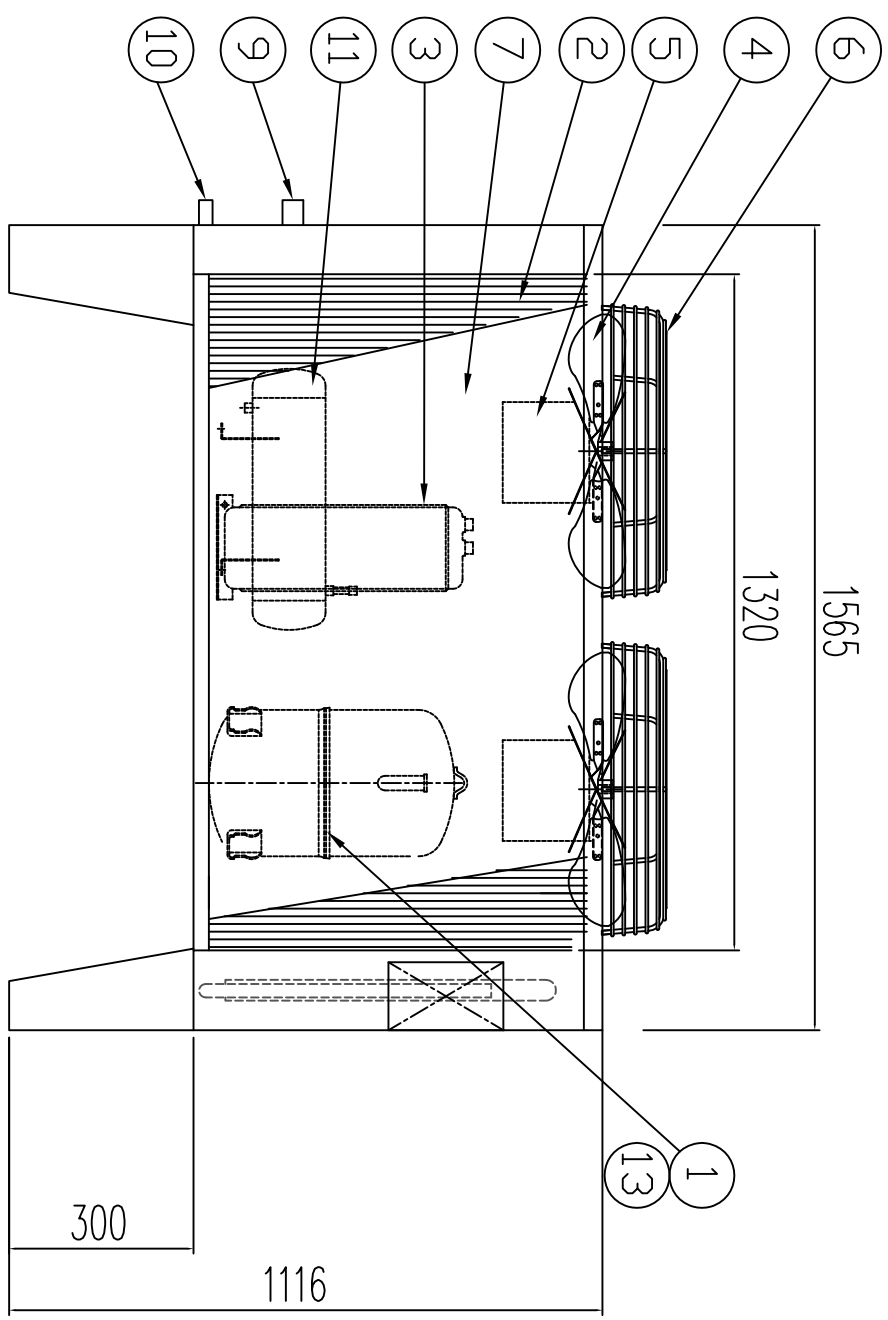
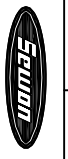


C	B	A	MARK	REVISION RECORD		DATE	REVISED BY	CHKED. BY	APPD.
			△						
			△						
			△						
			△						
			△						
QTY.	QTY.	QTY.	PARTS NO.	PARTS NAME	MATERIAL	TREAT.	DIMENSION	WEIGHT	
			01	COMPRESSOR			10HP	MTL.	FINED.
			02	CONDENSER COIL			MULTI-PASS CROSS FINNED TUBE		
			03	ACCUMULATOR			ASS'Y		
			04	PROPELLER FAN			∅ 600		
			05	FAN MOTOR			AC 3∅ 440V 60HZ 0.4KW 8P		
			06	FAN GUARD			ASS'Y		
			07	FIN GUARD			ASS'Y		
			08	CONTROL BOX			ASS'Y		
			09	GAS INLET VALVE			1"		
			10	LIQUID OUTLET VALVE			5/8"		
			11	RECEIVER TANK			ASS'Y		
			12	OIL SEPARATORS			ASS'Y		
			13	CRANK CASE HEATER			65W		
			14	HIGH PRESSURE SWITCH (FOR FAN CONTROL)			SETTING : 18 kg/cm ² G DIFF. : 3 kg/cm ² G		



- NOTES:
1. MAIN POWER : AC 3∅ 440V 60Hz
 2. COMPRESSOR : RECIPRO OR SCROLL TYPE

TOLERANCES UNLESS OTHERWISE SPECIFIED		PRODUCT NAME		TITLE	
1~4	0.1	REMOTE CONDENSING UNIT		ASSEMBLY DRAWING (COOLING ONLY)	
4~16	0.2	MODEL	RC-F10G7	THIRD ANGLE PROJECTION	SCALE 1:10
16~63	0.3	DEV. BY	DESIGNED BY	CHKED. BY	APPD.
63~200	0.5				
200~400	0.7				
400~2000	0.8				
		 (주) 세원선추리		DRAWING NO.	RCF100-13000M
				Rev.	