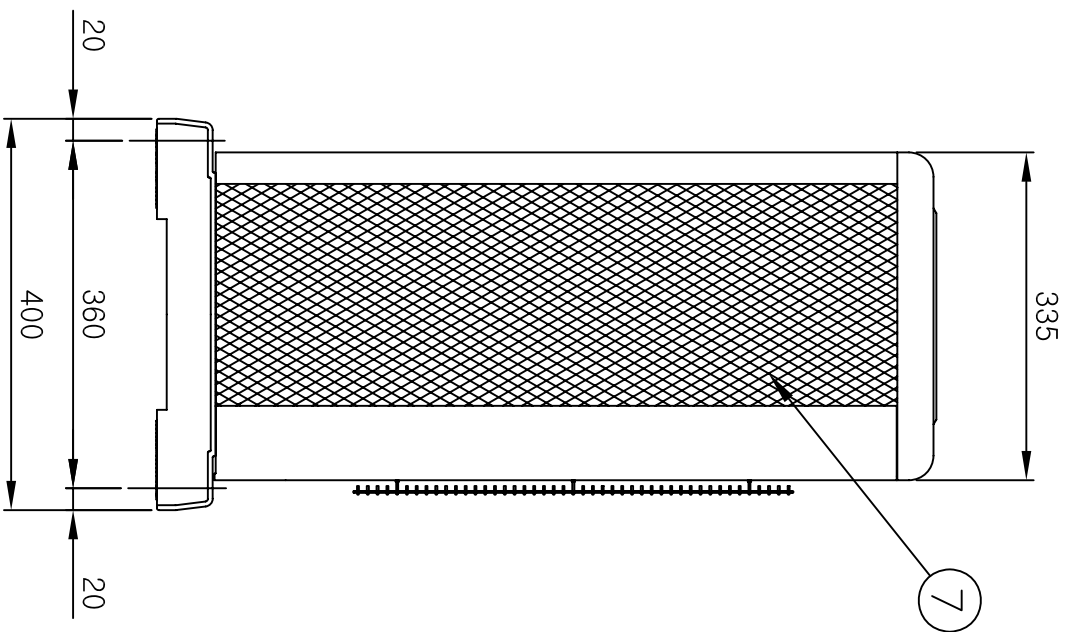
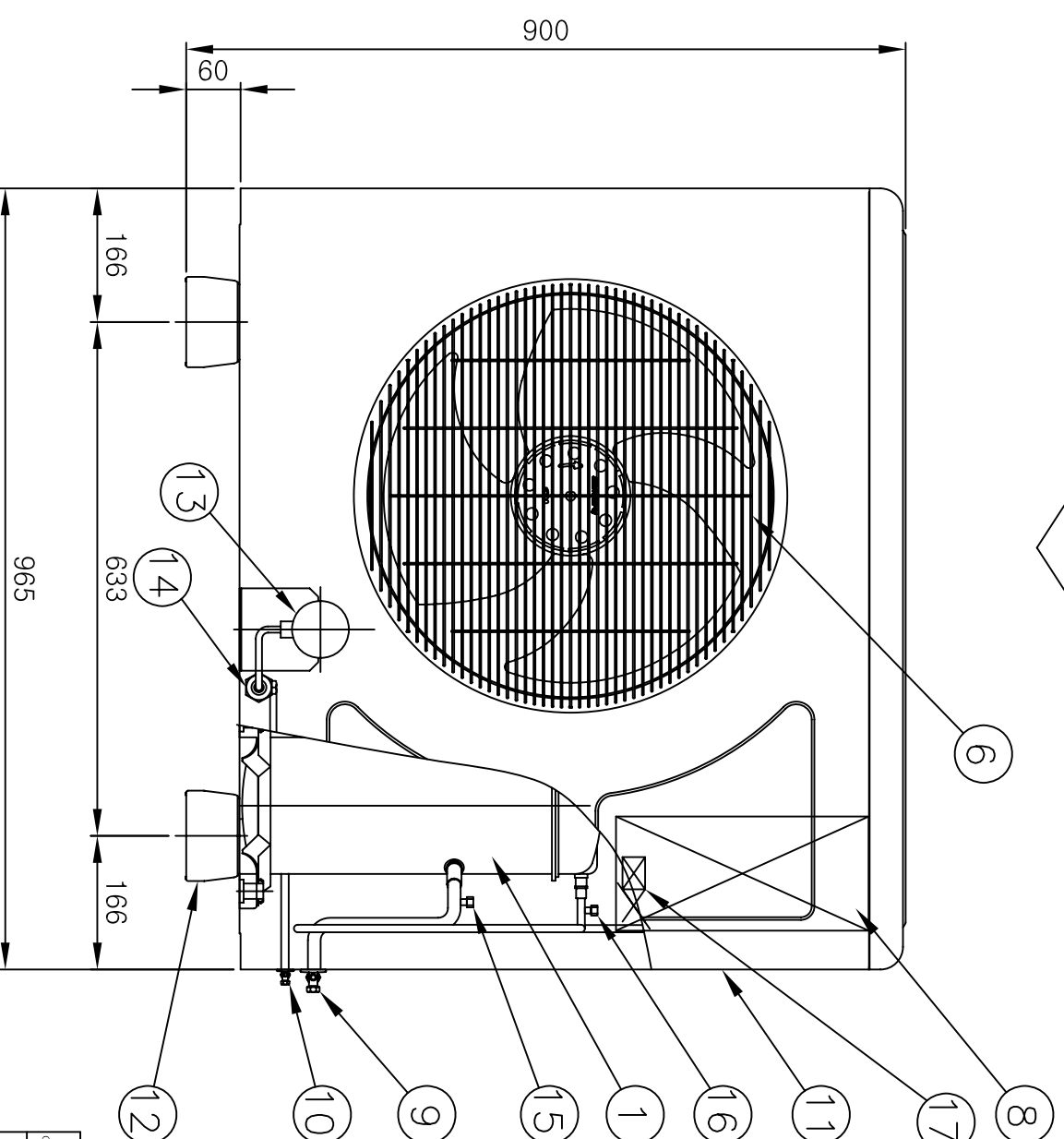


C	B	A	MARK	REVISION RECORD	DATE	REVISD BY	CHKD BY	APPD.
			△					
			△					
			△					
			△					
			△					
			△					
QTY./QTY.	PARTS NO.	PARTS NAME	MATERIAL	TREAT.	DIMENSION		WEIGHT	
1	01	COMPRESSOR			SHP	MTL.	FINED.	
1	02	CONDENSER COIL			MULTI-PASS CROSS FINED TUBE			
1	03	PROPELLER FAN			ø500			
1	04	FAN MOTOR			3 ø V 60Hz 6P			
1	05	MOTOR CLAMP			ASSY			
1	06	FAN GUARD			ASSY			
1	07	핀 보호망			ASSY			
1	08	MAGNETIC SWITCH BOX			ASSY			
1	09	GAS INLET VALVE			ASSY			
1	10	LIQUID OUTLET VALVE			1/2"			
1	11	SERVICE COVER			ASSY			
2	12	제플 BASE			ASSY			
1	13	RECEIVER TANK			SRT			
1	14	FUSIBLE PLUG			MELTING POINT: 72±2°C			
1	15	LOW PRESSURE SWITCH			CUT OUT : 1 kg/cm <sup>2</sup> G	CUT IN : 3 kg/cm <sup>2</sup> G		
1	16	HIGH PRESSURE SWITCH			CUT OUT : 27.3 kg/cm <sup>2</sup> G	CUT IN : 21 kg/cm <sup>2</sup> G		
1	17	HIGH PRESSURE SWITCH (FOR FAN CONTROL)			SETTING : 18 kg/cm <sup>2</sup> G	DIFF. : 3 kg/cm <sup>2</sup> G		
1	18	OIL SEPARATOR			ASSY			



NOTE  
 1. MAIN POWER: 3 ø V 60HZ  
 2. COMPRESSOR: SCROLL TYPE  
 3. PAINTING COLOR : IVORY WHITE  
 (RAL-9002 OR MUNSELL No. 2.5GY 9/1)

TOLERANCES UNLESS OTHERWISE SPECIFIED		TITLE	
1 ~ 4	0.1	PRODUCT NAME	REMOTE CONDENSING UNIT
4 ~ 16	0.2	MODEL	RC-F5G7
16 ~ 53	0.3	DWN. BY	DESIGNED BY
53 ~ 200	0.5	CHKD. BY	APPD.
200 ~ 400	0.7	THIRD ANGLE PROJECTION	SCALE 1:5
400 ~ 2000	0.8	REFERENCE DRW. NO.	UNIT : mm
		DRAWING NO.	RCF050-13100
		REV.	



세원세추리