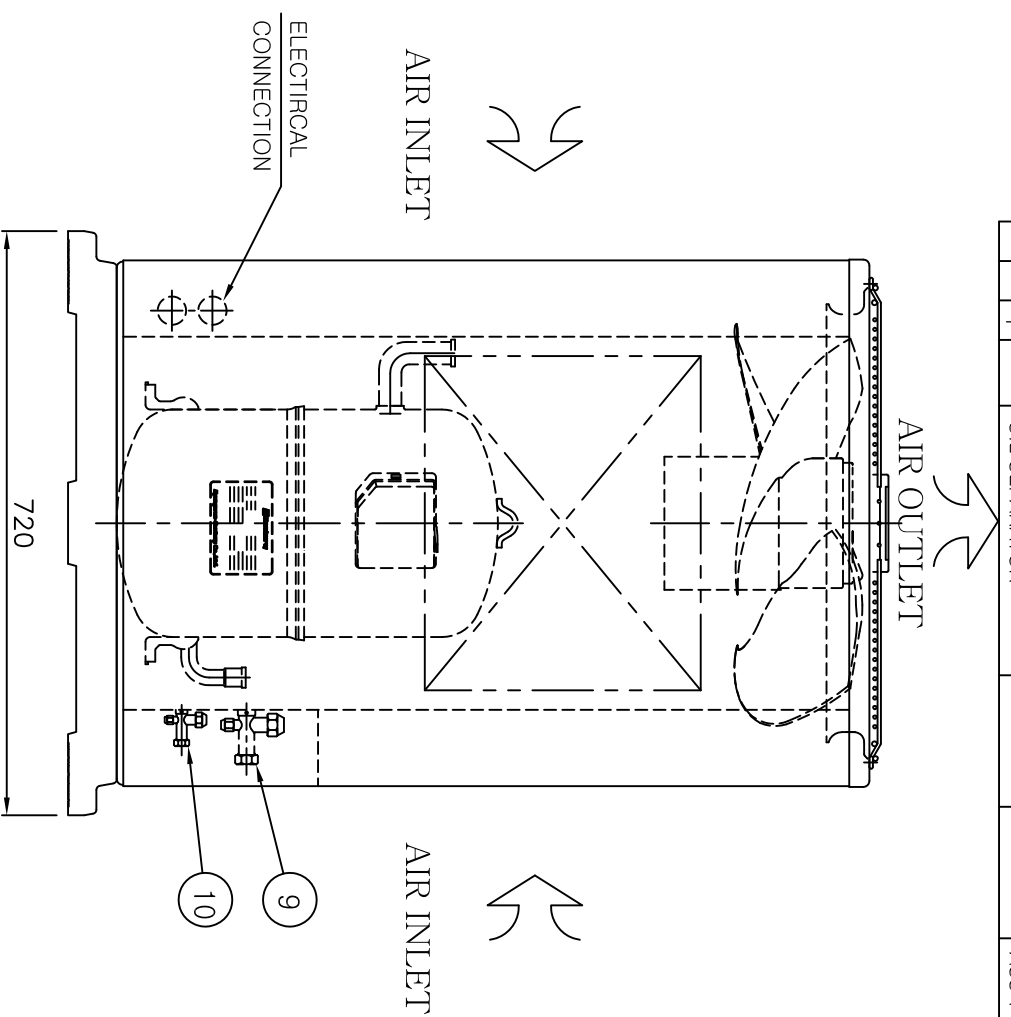


- NOTES:
1. MAIN POWER : AC 3Ø V 60Hz
 2. COMPRESSOR : RECIPRO OR SCROLL TYPE
 3. COLOR : IVORY WHITE (RAL-009 OR MUNSELL NO. 2.6GY 8.1/0.5)

C	B	A	MARK	REVISION RECORD	DATE	REVISED BY	CHECKED BY	APPD.
			△					
			△					
			△					
			△					
			△					

QTY.	PARTS NO.	PARTS NAME	MATERIAL	TREAT.	DIMENSION	WEIGHT
						MTL. FINED.
1	01	COMPRESSOR			7.5HP	
2	02	CONDENSER COIL			MULTI-PASS CROSS FINNED TUBE	
1	03	ACCUMULATOR			ASS'Y	
2	04	PROPELLER FAN			Ø 500	
2	05	FAN MOTOR			AC 3Ø V 60Hz 6P	
2	06	FAN GUARD			ASS'Y	
2	07	FIN GUARD			ASS'Y	
1	08	CONTROL BOX			ASS'Y	
1	09	GAS INLET VALVE			7/8"	
1	10	LIQUID OUTLET VALVE			5/8"	
1	11	RECEIVER TANK	SPPS		ASS'Y	
1	12	LOW PRESSURE SWITCH			CUT OUT : 1 kg/cm ² CUT IN : 3 kg/cm ²	
1	13	HIGH PRESSURE SWITCH			CUT OUT : 27.3 kg/cm ² CUT IN : 21 kg/cm ²	
1	14	HIGH PRESSURE SWITCH (FOR FAN CONTROL)			SETTING : 18 kg/cm ² DIFF. : 3 kg/cm ²	
1	15	OIL SEPARATOR			ASS'Y	



TOLERANCES UNLESS OTHERWISE SPECIFIED		PRODUCT NAME	TITLE	
1~4	0.1	REMOTE CONDENSING UNIT	ASSEMBLY DRAWING	
4~16	0.2	MODEL RC-F7.5G7	THIRD ANGLE PROJECTION	SCALE 1:10
16~63	0.3	DEV. BY	DESIGNED BY	CHKD. BY
63~200	0.5			APPD.
200~400	0.7			REFERENCE DRW. NO.
400~2000	0.8			DRAWING NO.

SQUON (주) 세원센추리

RCF075-13100 Rev.